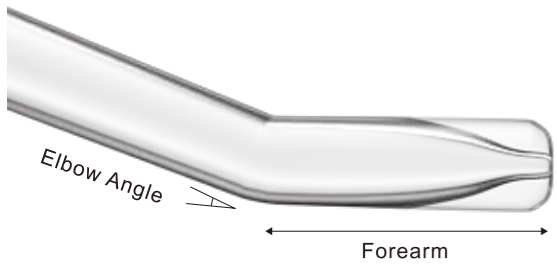
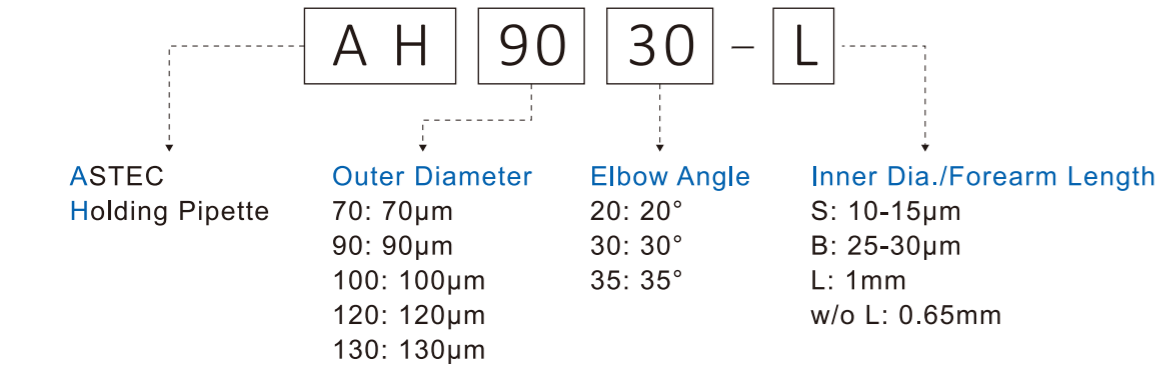


# Holding Pipette

are used to hold an oocyte or embryo in position during ICSI and other micromanipulation procedures.



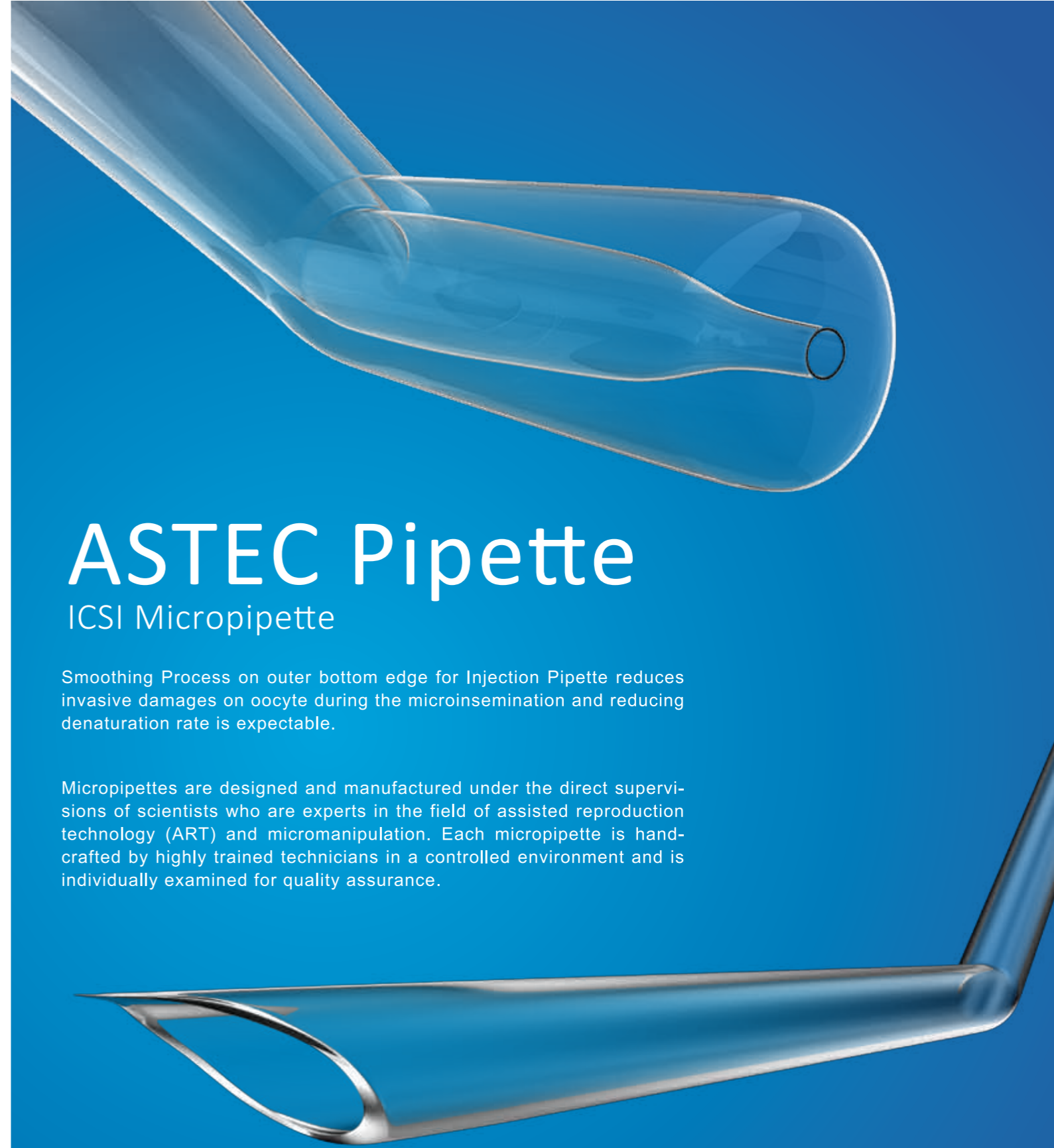
Photo:3D Image



## Holding Pipette

Model	Outer Dia.	Inner Dia.	Elbow Angle	Forearm
AH7030-S	70µm	10-15µm	30°	0.65mm
AH9030	90µm	20µm	30°	0.65mm
AH9030-L	90µm	20µm	30°	1mm
AH10020	100µm	20µm	20°	0.65mm
AH10030	100µm	20µm	30°	0.65mm
AH10035	100µm	20µm	35°	0.65mm
AH12020	120µm	20µm	20°	0.65mm
AH12030	120µm	20µm	30°	0.65mm
AH12035	120µm	20µm	35°	0.65mm
AH12020-B	120µm	30µm	20°	0.65mm
AH12030-B	120µm	30µm	30°	0.65mm
AH12035-B	120µm	30µm	35°	0.65mm
AH13030-B	130µm	30µm	30°	0.65mm

Product 3D images are illustration purposes only. Actual products may differ from the images.

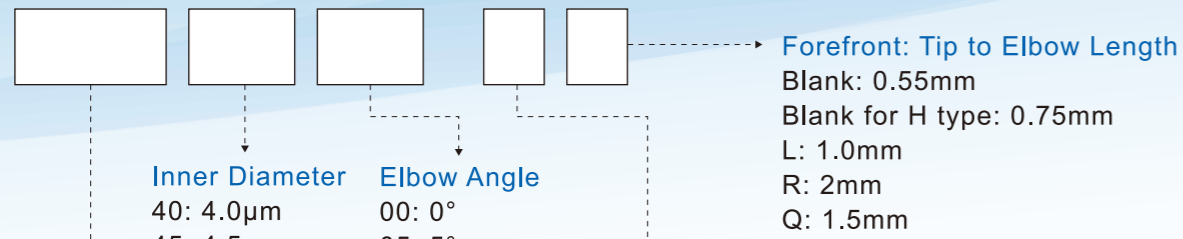


# ASTEC Pipette

## ICSI Micropipette

Smoothing Process on outer bottom edge for Injection Pipette reduces invasive damages on oocyte during the microinsemination and reducing denaturation rate is expectable.

Micropipettes are designed and manufactured under the direct supervisions of scientists who are experts in the field of assisted reproduction technology (ART) and micromanipulation. Each micropipette is hand-crafted by highly trained technicians in a controlled environment and is individually examined for quality assurance.



ASTEC  
Injection Pipette

**Taper, Parallel wall and Forearm type**  
 Selectable from V, H, W, F, Y and J  
 F: Flat Tip, similar to H type, but much longer parallel wall.  
 Y: Smoothing processed, V type  
 J: Similar to H type, but much longer parallel wall.  
 (Refer to fig. below)

Model	Outer Dia.	Inner Dia.	Bevel Angle	Elbow Angle	Forearm	Tip Type
AI4030-YL	5.5-6µm	4.0µm	20-25°	30°	1mm	Spiked
AI4020-YL	5.5-6µm	4.0µm	20-25°	20°	1mm	Spiked
AI4025-YL	5.5-6µm	4.0µm	20-25°	25°	1mm	Spiked
AI4530-YL	6µm	4.5µm	30°	30°	1mm	Spiked
AI5030-YL	7µm	5.0µm	30°	30°	1mm	Spiked
AI4030-YQ	5.5-6µm	4.0µm	20-25°	30°	1.5mm	Spiked

Model	Outer Dia.	Inner Dia.	Bevel Angle	Elbow Angle	Forearm	Tip Type
AI4030-VL	5.5-6µm	4.0µm	20-25°	30°	1mm	Spiked
AI4030-V	5.5-6µm	4.0µm	20-25°	30°	0.55mm	Spiked
AI4530-VL	6µm	4.5µm	30°	30°	1mm	Spiked
AI4520-V	6µm	4.5µm	30°	20°	0.55mm	Spiked
AI4530-V	6µm	4.5µm	30°	30°	0.55mm	Spiked
AI4535-V	6µm	4.5µm	30°	35°	0.55mm	Spiked
AI5030-VL	7µm	5.0µm	35°	30°	1mm	Spiked
AI5020-V	7µm	5.0µm	35°	20°	0.55mm	Spiked
AI5030-V	7µm	5.0µm	35°	30		Spiked

						Spiked
						Spiked
						Spiked
						Spiked
						Spiked
						Spiked
						Spiked
						Spiked
						Spiked

### Forefront Enlargement

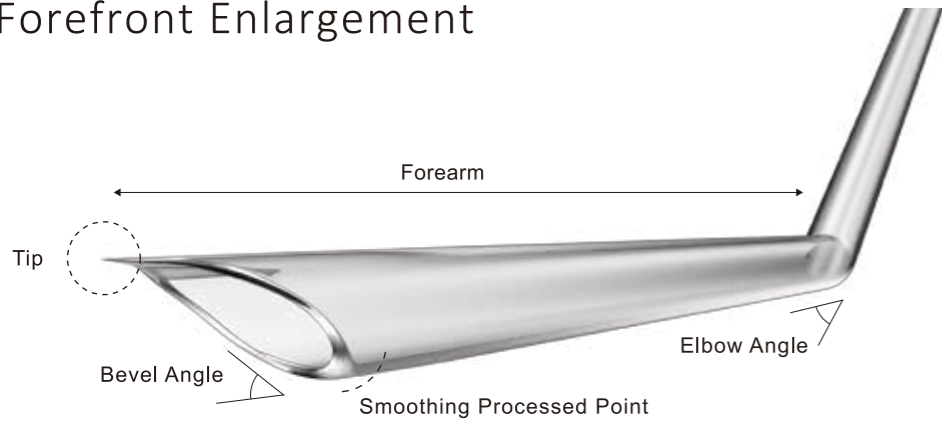


Photo:3D Image

### Injection Pipette

are used to perform intracytoplasmic sperm injection (ICSI). We offer various type of Tips and angles, and also other specifications and customized pipettes are available on request.

#### V Type

- Characteristics:
- Short taper
  - Long Parallel wall
  - Forefront(0.55mm or 1.00mm)

#### H Type

- Characteristics:
- Longer taper
  - Short parallel wall
  - Forefront(0.75mm)

#### W Type

- Characteristics:
- Short taper
  - No parallel wall
  - Standard Forefront (0.55mm)

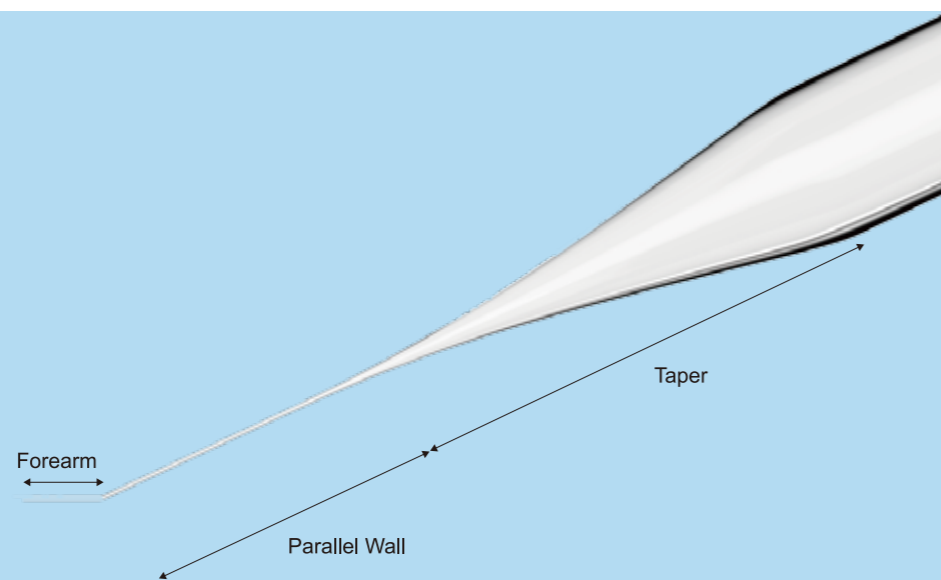


Photo:3D Image