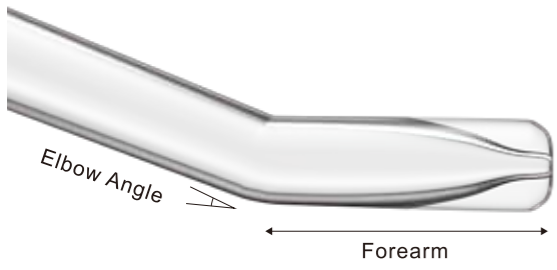
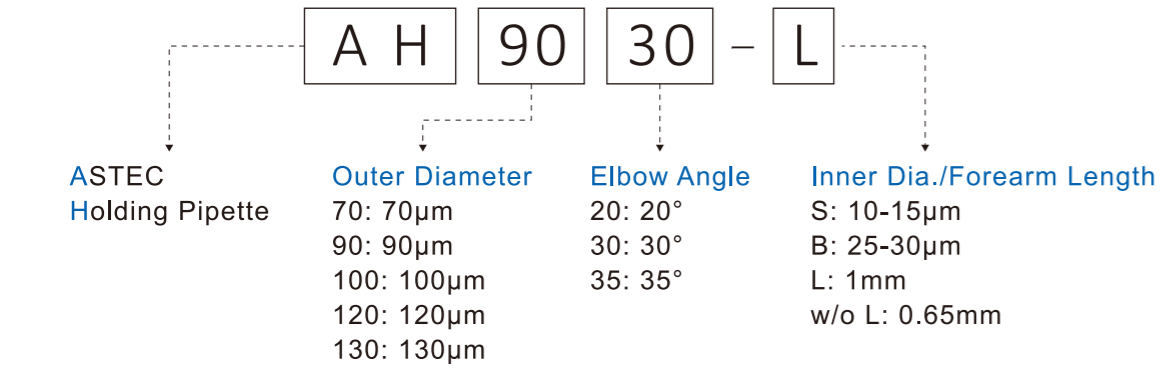


Holding Pipette

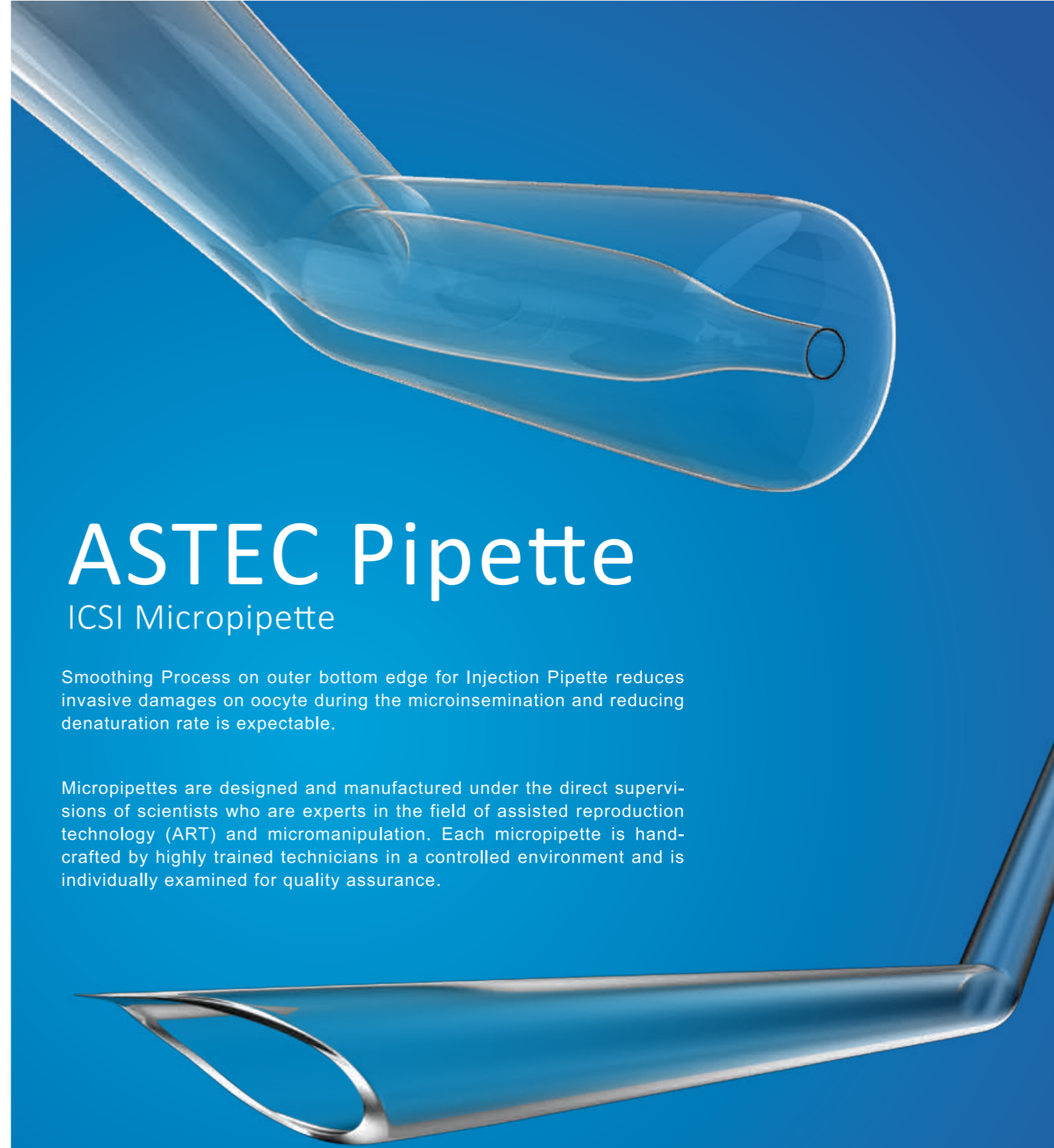
are used to hold an oocyte or embryo in position during ICSI and other micromanipulation procedures.



Holding Pipette

Model	Outer Dia.	Inner Dia.	Elbow Angle	Forearm
AH7030-S	70µm	10-15µm	30°	0.65mm
AH9030	90µm	20µm	30°	0.65mm
AH9030-L	90µm	20µm	30°	1mm
AH10020	100µm	20µm	20°	0.65mm
AH10030	100µm	20µm	30°	0.65mm
AH10035	100µm	20µm	35°	0.65mm
AH12020	120µm	20µm	20°	0.65mm
AH12030	120µm	20µm	30°	0.65mm
AH12035	120µm	20µm	35°	0.65mm
AH12020-B	120µm	30µm	20°	0.65mm
AH12030-B	120µm	30µm	30°	0.65mm
AH12035-B	120µm	30µm	35°	0.65mm
AH13030-B	130µm	30µm	30°	0.65mm

Product 3D images are illustration purposes only. Actual products may differ from the images.



ASTEC Pipette

ICSI Micropipette

Smoothing Process on outer bottom edge for Injection Pipette reduces invasive damages on oocyte during the microinsemination and reducing denaturation rate is expectable.

Micropipettes are designed and manufactured under the direct supervisions of scientists who are experts in the field of assisted reproduction technology (ART) and micromanipulation. Each micropipette is hand-crafted by highly trained technicians in a controlled environment and is individually examined for quality assurance.

SPECIFICATIONS

AI 40 30 - Y L

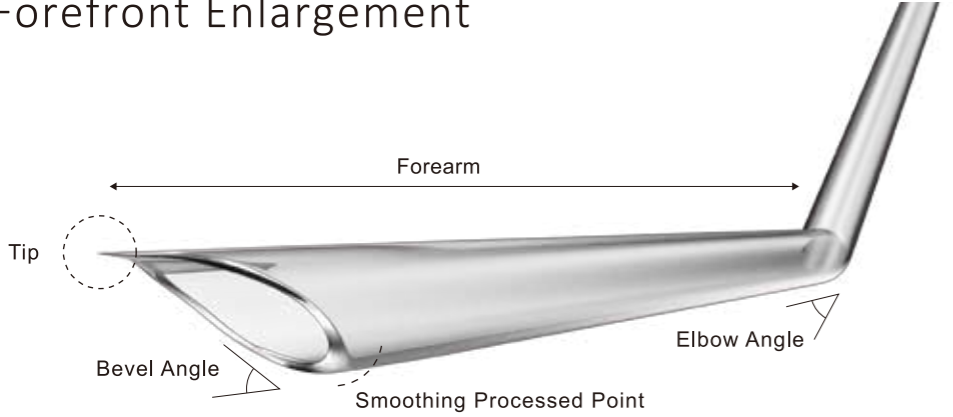
- Inner Diameter**
 40: 4.0µm
 45: 4.5µm
 50: 5.0µm
 55: 5.5µm
- Elbow Angle**
 00: 0°
 05: 5°
 10: 10°
 15: 15°
 20: 20°
 25: 25°
 30: 30°
 35: 35°
 40: 40°
 45: 45°

Forefront: Tip to Elbow Length
 Blank: 0.55mm
 Blank for H type: 0.75mm
 L: 1.0mm
 R: 2mm
 Q: 1.5mm

Taper, Parallel wall and Forearm type
 Selectable from V, H, W, F, Y and J
 F: Flat Tip, similar to H type, but much longer parallel wall.
 Y: Smoothing processed, V type
 J: Similar to H type, but much longer parallel wall.
 (Refer to fig. below)

ASTE
 Injection Pipette

Forefront Enlargement



Injection Pipette are used to perform intracytoplasmic sperm injection (ICSI). We offer various type of Tips and angles, and also other specifications and customized pipettes are available on request.

Photo:3D Image

V Type
 Characteristics:
 •Short taper
 •Long Parallel wall
 •Forefront(0.55mm or 1.00mm)

H Type
 Characteristics:
 •Longer taper
 •Short parallel wall
 •Forefront(0.75mm)

W Type
 Characteristics:
 •Short taper
 •No parallel wall
 •Standard Forefront (0.55mm)

Photo:3D Image

Smoothing Processed Injection Pipette

Smoothing Process on outer bottom edge reduces invasive damages on oocyte during the microinsemination.

Model	Outer Dia.	Inner Dia.	Bevel Angle	Elbow Angle	Forearm	Tip Type
AI4030-YL	5.5-6µm	4.0µm	20-25°	30°	1mm	Spiked
AI4020-YL	5.5-6µm	4.0µm	20-25°	20°	1mm	Spiked
AI4025-YL	5.5-6µm	4.0µm	20-25°	25°	1mm	Spiked
AI4530-YL	6µm	4.5µm	30°	30°	1mm	Spiked
AI5030-YL	7µm	5.0µm	30°	30°	1mm	Spiked
AI4030-YQ	5.5-6µm	4.0µm	20-25°	30°	1.5mm	Spiked

Standard Injection Pipette

Model	Outer Dia.	Inner Dia.	Bevel Angle	Elbow Angle	Forearm	Tip Type
AI4030-VL	5.5-6µm	4.0µm	20-25°	30°	1mm	Spiked
AI4030-V	5.5-6µm	4.0µm	20-25°	30°	0.55mm	Spiked
AI4530-VL	6µm	4.5µm	30°	30°	1mm	Spiked
AI4520-V	6µm	4.5µm	30°	20°	0.55mm	Spiked
AI4530-V	6µm	4.5µm	30°	30°	0.55mm	Spiked
AI4535-V	6µm	4.5µm	30°	35°	0.55mm	Spiked
AI5030-VL	7µm	5.0µm	35°	30°	1mm	Spiked
AI5020-V	7µm	5.0µm	35°	20°	0.55mm	Spiked
AI5030-V	7µm	5.0µm	35°	30°	0.55mm	Spiked
AI5035-V	7µm	5.0µm	35°	35°	0.55mm	Spiked
AI4530-W	6µm	4.5µm	30°	30°	0.55mm	Spiked
AI5520-W	7µm	5.5µm	40°	20°	0.55mm	Spiked
AI5530-W	7µm	5.5µm	40°	30°	0.55mm	Spiked
AI5535-W	7µm	5.5µm	40°	35°	0.55mm	Spiked
AI4030-HL	5.5-6µm	4.0µm	20-25°	30°	1mm	Spiked
AI4525-HL	6µm	4.5µm	30°	25°	1mm	Spiked
AI4530-HL	6µm	4.5µm	30°	30°	1mm	Spiked
AI4525-JR	6µm	4.5µm	30°	25°	2mm	Spiked
AI5020-FR	7µm	5.0µm	30°	20°	2mm	Flat Tip
AI5025-FR	7µm	5.0µm	30°	25°	2mm	Flat Tip
AI-5030-FR	7µm	5.0µm	30°	30°	2mm	Flat Tip